

REAL-EL

USER MANUAL



**PORTABLE
SPEAKER SYSTEM**

X-715

Congratulations on your purchase of the REAL-EL products!

COPYRIGHT

© 2024. ENEL GROUP OU.

This Manual and information contained in are copyrighted. All rights reserved.

TRADEMARKS

All trademarks are the property of their legal holders.

CONTENTS

1. BUYER RECOMMENDATIONS	1
2. PACKAGE CONTENTS	1
3. SAFETY PRECAUTIONS	2
4. TECHNICAL DESCRIPTION	2
5. CONNECTION AND OPERATION	3
6. TECHNICAL SPECIFICATIONS	4

1. BUYER RECOMMENDATIONS

- Unpack the device carefully. Make sure there are no accessories left in the box. Check up the device for damage; if the product was damaged during transportation, address the firm, which carried out the delivery; if the product functions incorrectly, address the dealer at once.
- Check up the package contents and availability of the warranty card.
- Do not switch on the speaker system immediately after you bring it into a room from environment with negative temperature! After unpacking, the speaker system should be kept in conditions of room temperature for at least 4 hours.
- Before installing and using the speaker system, read this Manual carefully and keep it for future reference.

2. PACKAGE CONTENTS

- Portable speaker system — 1 pc
- USB to USB Type C power cable — 1 pc
- Lanyard — 1 pc
- User manual — 1 pc
- Warranty card — 1 pc

3. SAFETY PRECAUTIONS

- Do not open the device and do not perform repairs by yourself. Service and repairs should be performed only by qualified specialists at authorized service centers. The list of authorized service centers is on www.real-el.com
- Make sure that foreign objects do not get inside the holes of the device.
- Protect the device from high humidity, water and dust.
- Protect the device from heating; do not place it closer than 1 m from a heat source. Do not expose it to direct sunlight.
- Do not use any chemical agents for cleaning. Clean it with dry soft cloth only.
- In case of device does not work properly. Please contact place of purchase or service center.

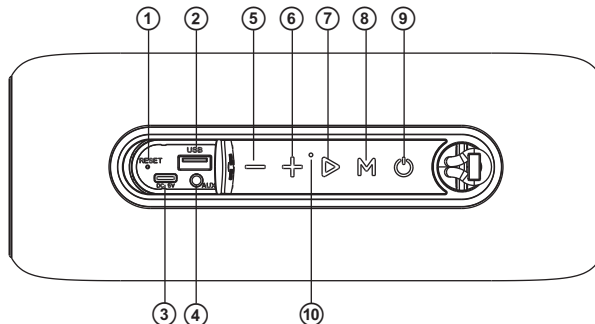
Special features

- IPX 5 waterproof
- TWS function. Connect two speakers together
- Optimized voice assistant control
- Hands-free mic for easy picking up the call
- RGB Lighting
- Bluetooth A2DP
- USB / AUX input

4. TECHNICAL DESCRIPTION

Control panel

- | | |
|---|--|
| ① RESET | ⑧ Mode Button;
Short-press to switch playing modes
/ Long-press to pair or disconnect TWS. |
| ② USB Port | ⑨ Power Button (long press) |
| ③ Type-C Charging port | ⑩ Mic |
| ④ AUX Port | |
| ⑤ Backward/Volume Down;
Short-press for volume / Long-press for track switch | |
| ⑥ Forward/Volume Up;
Short-press for volume / Long-press for track switch | |
| ⑦ Play/Pause;
Short-press to play or pause / Long-press to turn on/off the LED light, quickly double-press to activate voice assistant function. | |



5. CONNECTION AND OPERATION

Charging the battery

- Before starting operation, the battery must be fully charged. The charger is not included. Charge this device with a DC 5V/ 2A universal charger or with a computer.
- It is not recommended to leave the device connected to the charger for a long time after it is fully charged.

Do not charge the speaker system at low ambient temperatures.

Bluetooth mode

- Turn the unit into Bluetooth mode with the MⓈ button repeatedly. The device will turn into search mode.
- Select a Bluetooth device search mode on the audio source (mobile phone, tablet, etc.). The display will show the name «REAL-EL X-715» which need to establish a connection with. After a successful connection, the loudspeaker will sound a signal.

TWS Bluetooth connection

- Turn on two identical «REAL-EL X-715» systems and activate Bluetooth mode.
- On one system, press and hold the MⓈ button to enter the TWS connection mode (beep will sound), a short beep will sound after successful connection.
- Connect the system to an audio source.
- To disconnect TWS mode, press and hold the MⓈ button.

USB playback mode

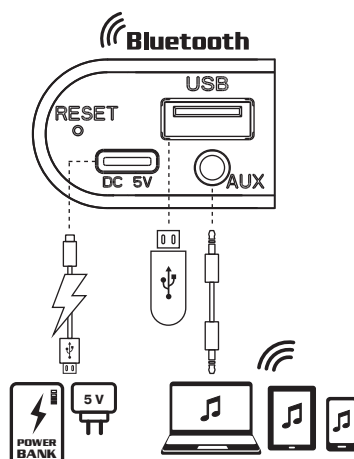
- Insert the USB flash drive into the corresponding slot, the sound track will be played automatically.

Note:

During Bluetooth playback mode, if USB is connected, Bluetooth will be disabled and USB playback will start. Press the MⓈ button to return to Bluetooth mode again.

NO POWERBANK FUNCTION.

The USB connector is designed for connecting USB storage media. Do not use this connector to charge other devices - this may cause the speaker system to malfunction.



AUX wired connection mode

- Select AUX playback mode.
- Connect the audio source using a 3.5mm cable.

Note:

When using a wired connection, control is provided from the audio source.

Hands-Free call management

- In Bluetooth connection status, when there is an incoming call, short press the Play/Pause button to answer the call, or long press to reject the call.
- During a call, long press the Play/Pause button to switch to the phone conversation.
- To end the call, press the Play/Pause button briefly or use the mobile phone.

Reset settings

- If the device does not turn off or does not respond, the user can briefly press the Reset button to reset the settings.

6. SPECIFICATION

Parameter	Value
Output power (RMS)	10 (2 x 5) W
Frequency range	80-16000 Hz
Dimension of the speaker drivers	2 x Ø 50 mm
Supported Bluetooth Profiles	V5.3 + A2DP
Connection types	USB / Aux / Bluetooth
Power supply	USB Type C / 5 V DC, 2 A
Battery	Lithium-ion 2000 mAh, DC 3.7 V
Bluetooth operation distance	up to 10 m
Case material	ABS plastic
Dimensions of the product	242 x 92 x 192 mm
Weight	0.75 kg

Notes:

- *Technical specifications given in this table are supplemental information and cannot give occasion to claims.*
- *Technical specifications and package contents are subject to change without notice due to the improvement of REAL-EL production.*



Manufacturer: ENEL GROUP OU, Harju maakond, Rae vald, Jüri alevik, Aruküla tee 55a, 75301, Estonia.
© Registered Trademark of ENEL GROUP OU. Estonia.